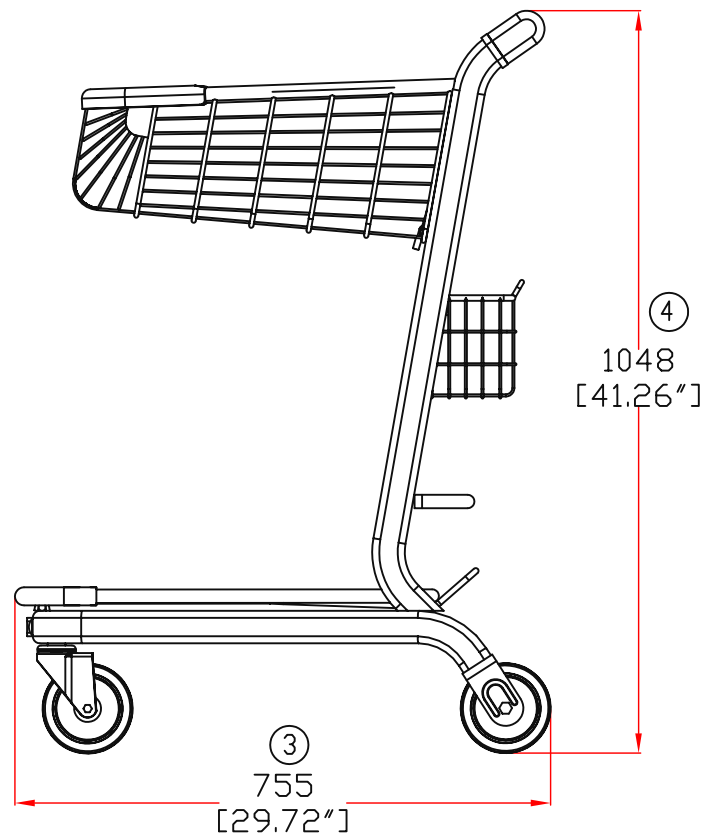
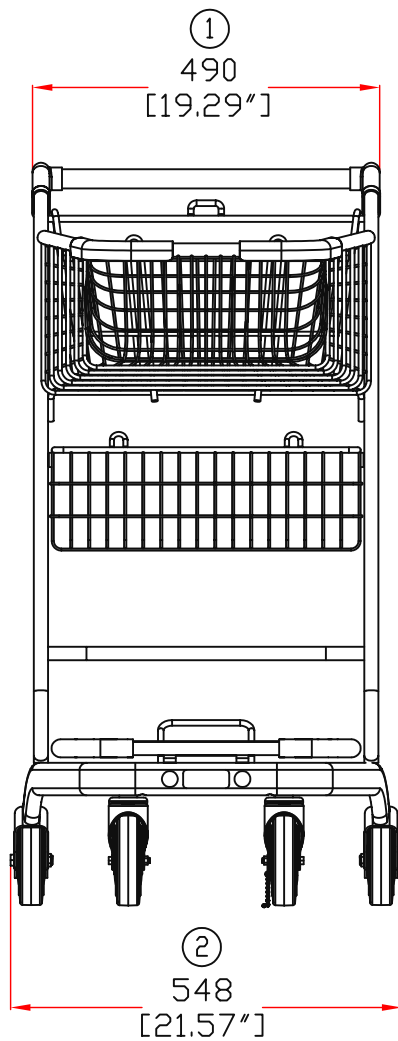
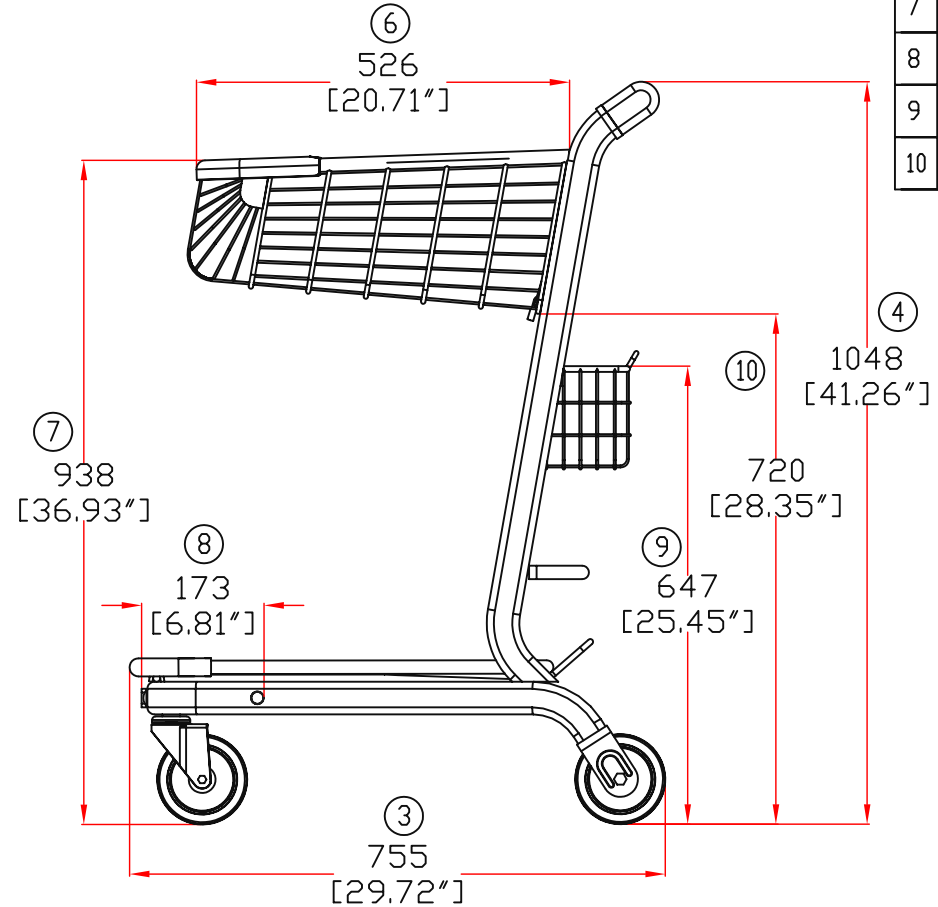
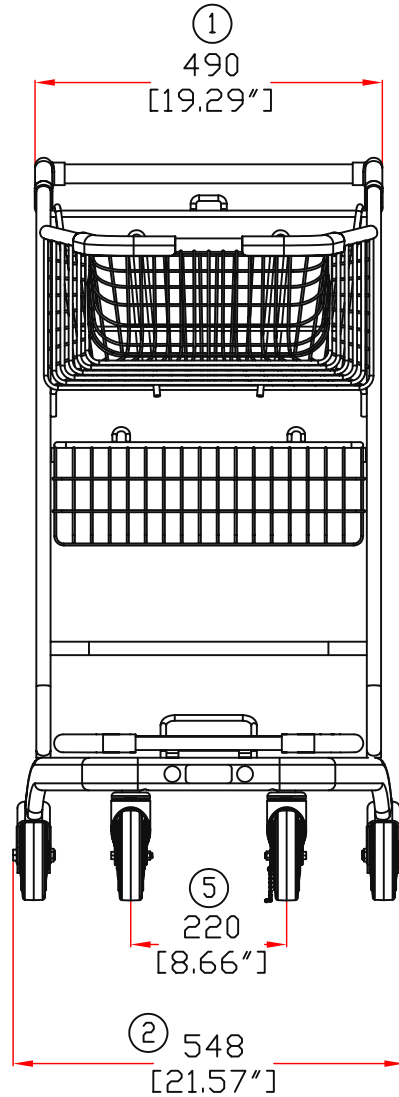


# EXpress3500-1-B(II)

1	490[19.29"]
2	548[21.57"]
3	755[29.72"]
4	1048[41.26"]



# EXpress3500-1-B(II)



1	490[19.29"]
2	548[21.57"]
3	755[29.72"]
4	1048[41.26"]
5	220[8.66"]
6	526[20.71"]
7	938[36.93"]
8	173[6.81"]
9	647[25.45"]
10	720[28.35"]

# EXpress3500-1-B(II)

